



SLIDING



SOCIALIZING



CLIMBING



JUMPING

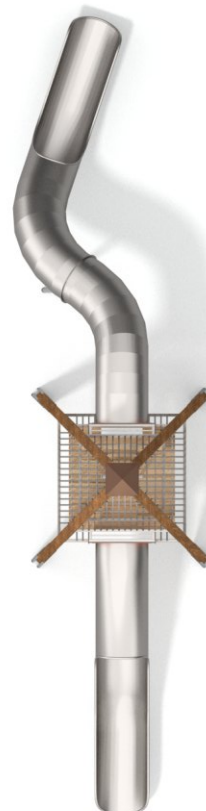


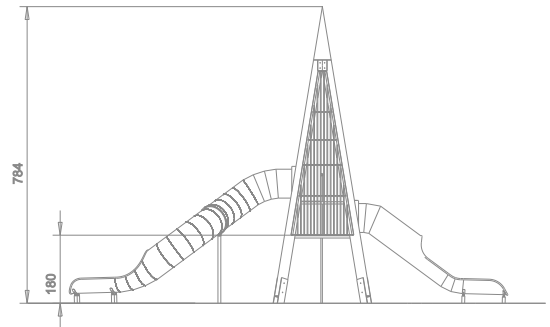
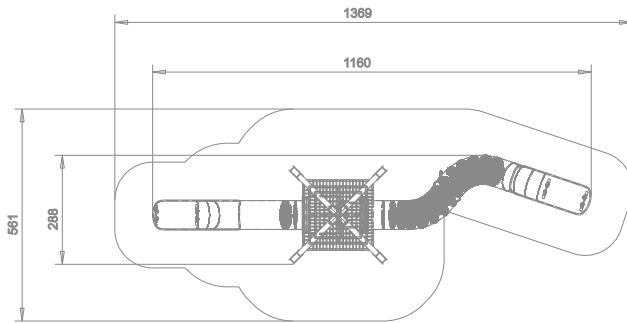
BALANCING

INFORMATION ABOUT THE PRODUCT

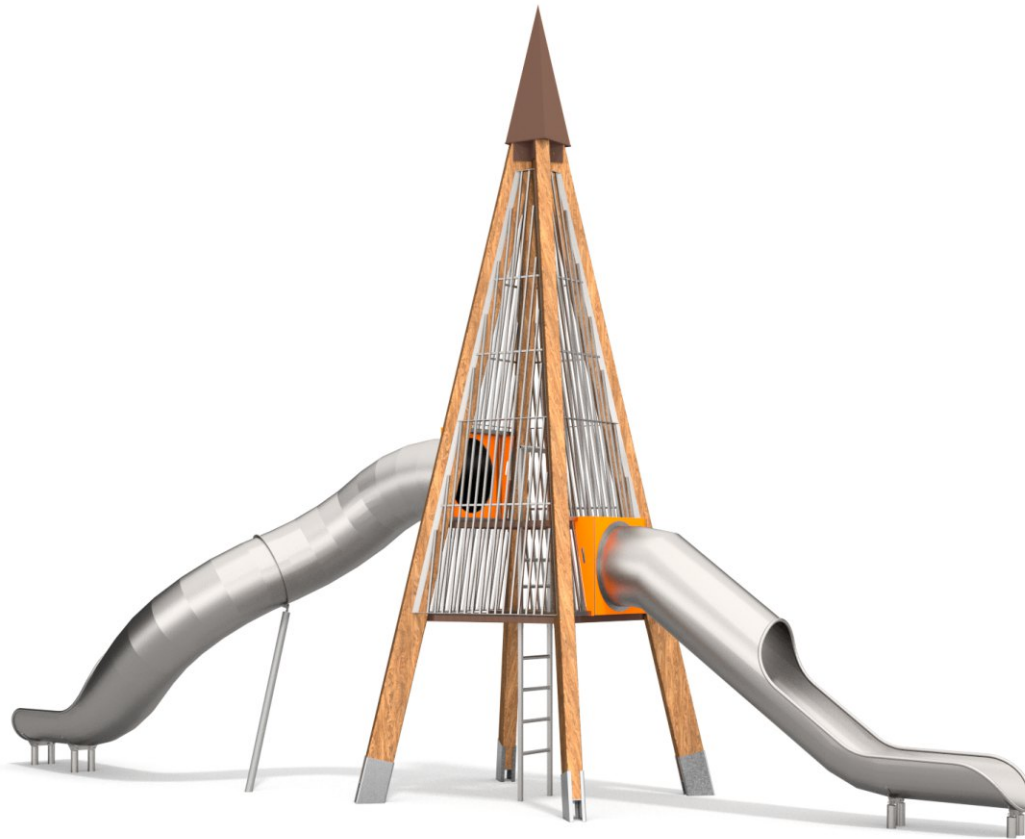
Dimensions	1160 x 288 cm
Safety zone	1369 x 561 cm
Safety zone area	~52,5 m ²
Overall height	784 cm
Free fall height	180 cm
Amount of users	13
Product complies with EN 1176-1:2017-12	YES
Availability of spare parts	YES
Age range	3-12

According to EN 1176-1:2017-12 norm, the product requires applying a safety surface according to the product's free fall height.





SCALE 1:200



MATERIALS:

<p>WOODEN CONSTRUCTION: Conifer wood glued in layers with polyurethane glues. Wood posts processed in three-phased impregnation process. Anchors powder galvanized.</p>	<p>Solid construction made of stainless steel AISI 304.</p>	<p>PANELS: HDPE 15 MM</p>	<p>PLATFORM: STEEL SHEET GALVANIZED AND COVERED WITH POWDER COATING PAINT + 10 MM HPL</p>	<p>TUBE SLIDE MADE OF STAINLESS STEEL AISI 304</p>	<p>STRUCTURAL ELEMENTS: made of black steel protected against corrosion by galvanizing and powder coating with polyester paint QUALICOAT attested.</p>
